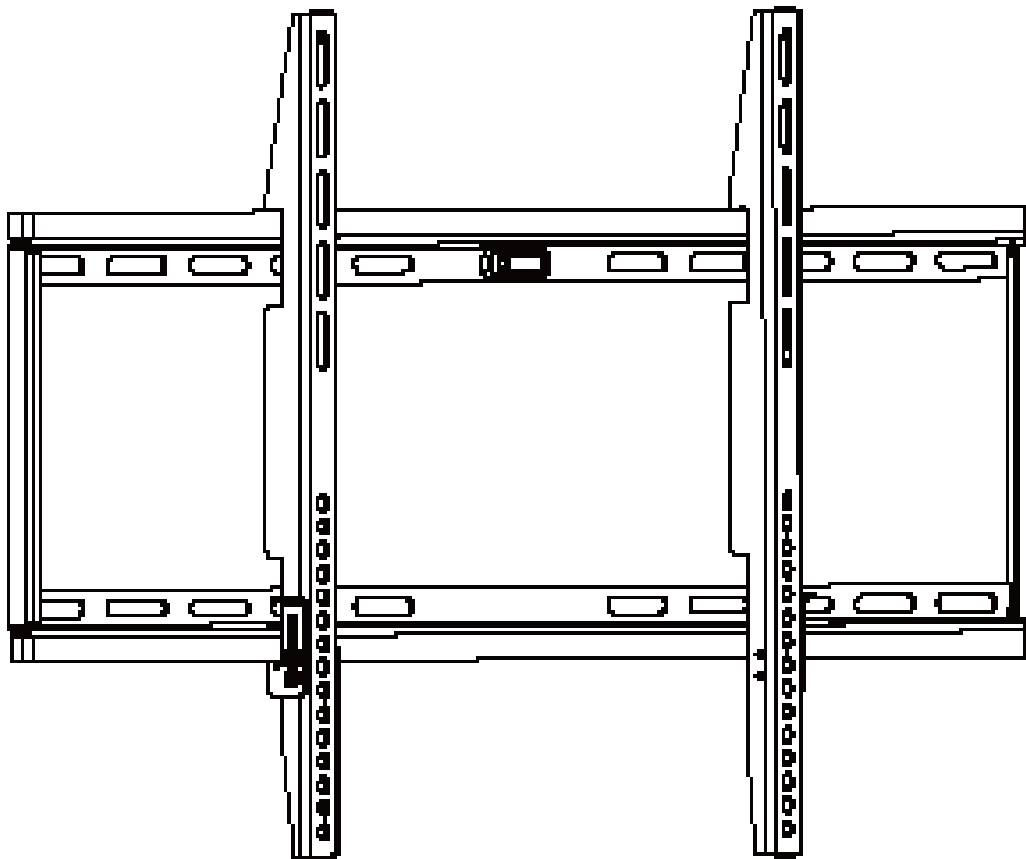


Flat TV Wall Mount

Master[®] Mounts



**Universal
VESA Patterns**

Up To 600x400 mm



Model# 5046F

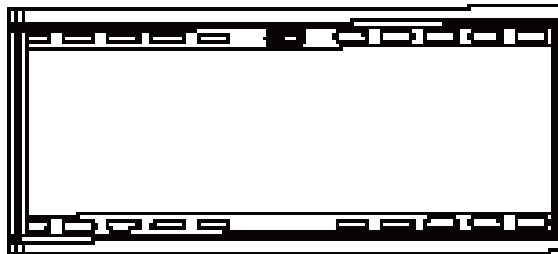


WARNING

Read the entire instruction manual before you start installation and assembly.

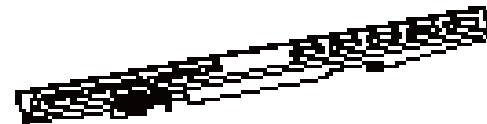
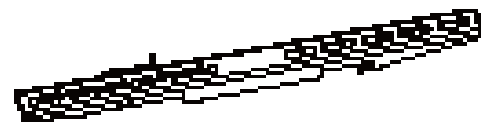
- Do not begin the installation until you have read and understood all the instructions and warnings contained in this installation sheet. If you have any questions regarding any of the instructions or warnings, please contact your local distributor.
- This mounting bracket was designed to be installed and utilized ONLY as specified in this manual. Improper installation of this product may cause damage or serious injury.
- This product should only be installed by someone with good mechanical ability who has basic building experience and fully understands this manual.
- Make sure that the supporting surface will safely support the combined weight of the equipment and all attached hardware and components.
- If mounting to wood wall studs, make sure that mounting screws are anchored into the center of the studs. The use of a stud finder is highly recommended.
- Always use an assistant or mechanical lifting equipment to safely lift and position the equipment.
- Tighten screws firmly, but do not over tighten. Over tightening can cause damage to the items. This greatly reduces their holding power.
- This product is intended for indoor use only. Using this product outdoors could lead to product failure and personal injury.

Component Checklist



wall plate (x1)
A

left adapter
bracket (x1) B



right adapter
bracket (x1) C

Package M



M5x14
(x4)
M-A



M6x14
(x4)
M-B



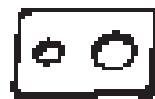
M8x20
(x4)
M-C



M6x30
(x4)
M-D



M8x30
(x4)
M-E



washer
(x4)
M-F



small spacer
(x8)
M-G



big spacer
(x4)
M-H

Package W



ST6.3x55
(x6)
W-A

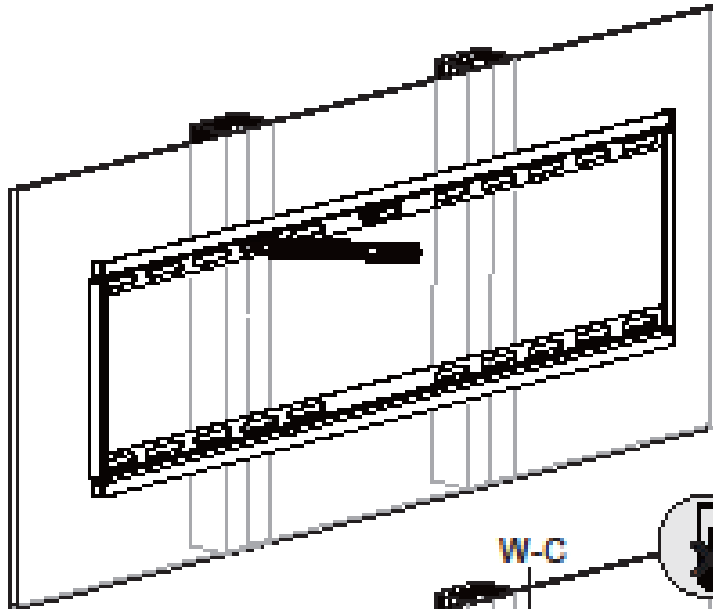
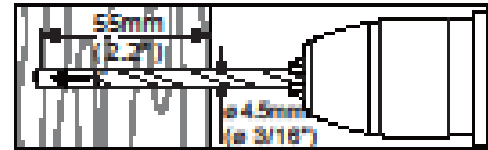
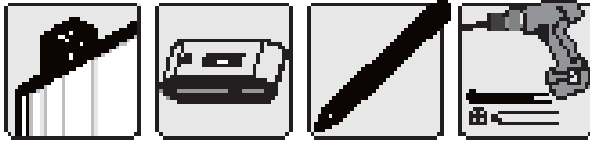


concrete anchor
(x6)
W-B

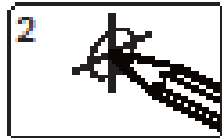


D6 washer
(x6)
W-C

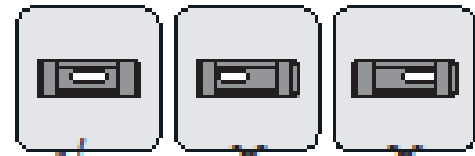
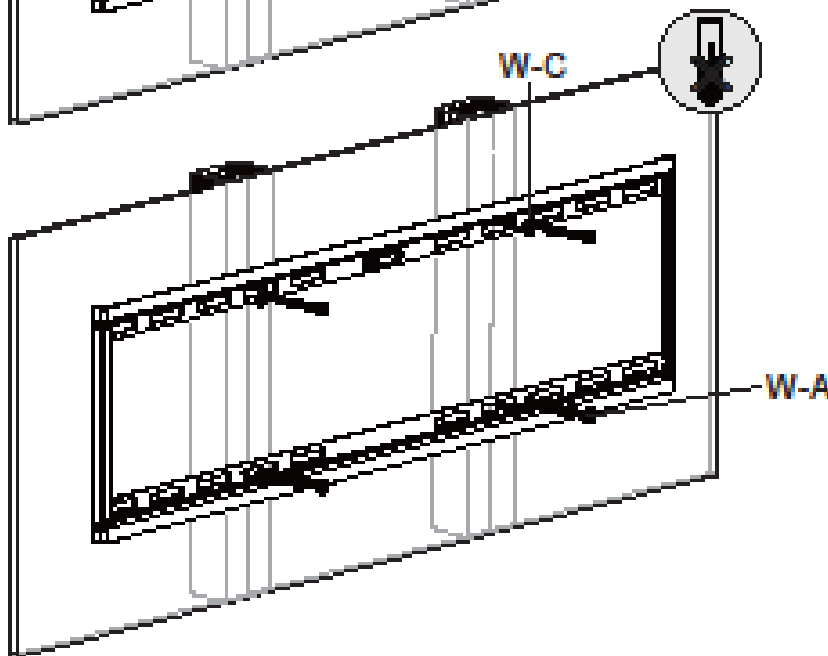
1a. Mounting Instructions for Wood Stud Walls



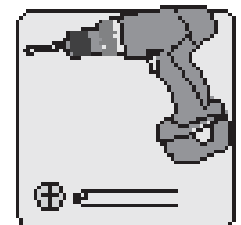
Find and mark the exact location of mounting holes



Drill pilot holes



Use built-in level to adjust plate



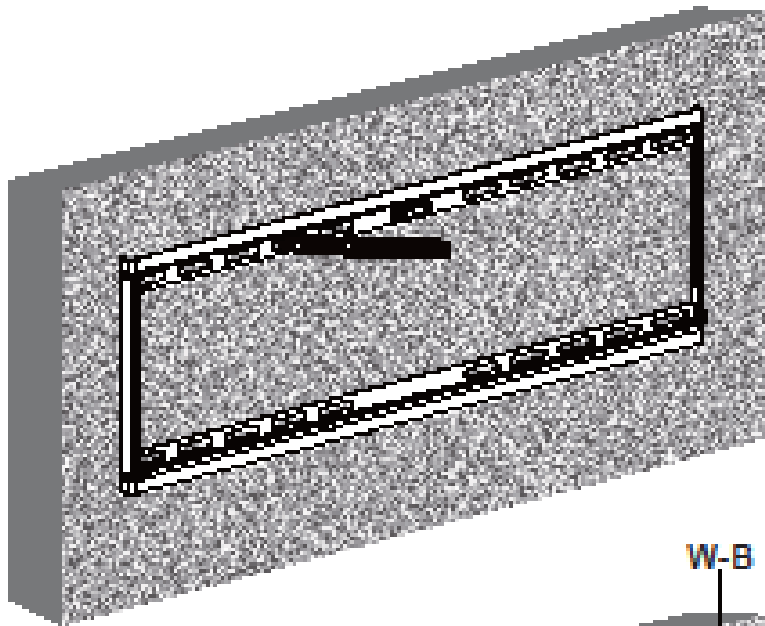
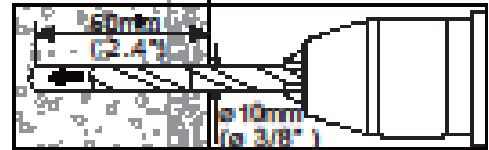
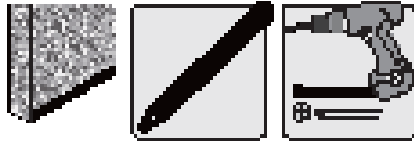
Screw the wall plate onto the wall



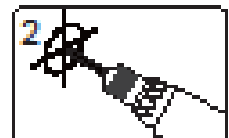
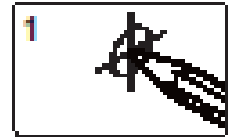
WARNING

- Make sure that mounting screws are anchored into the center of the studs. The use of a stud finder is highly recommended.
- Installers are responsible to provide hardware for other types of mounting situations.
- Installers must verify that the supporting surface will safely support the combined weight of the equipment and all attached hardware and components.

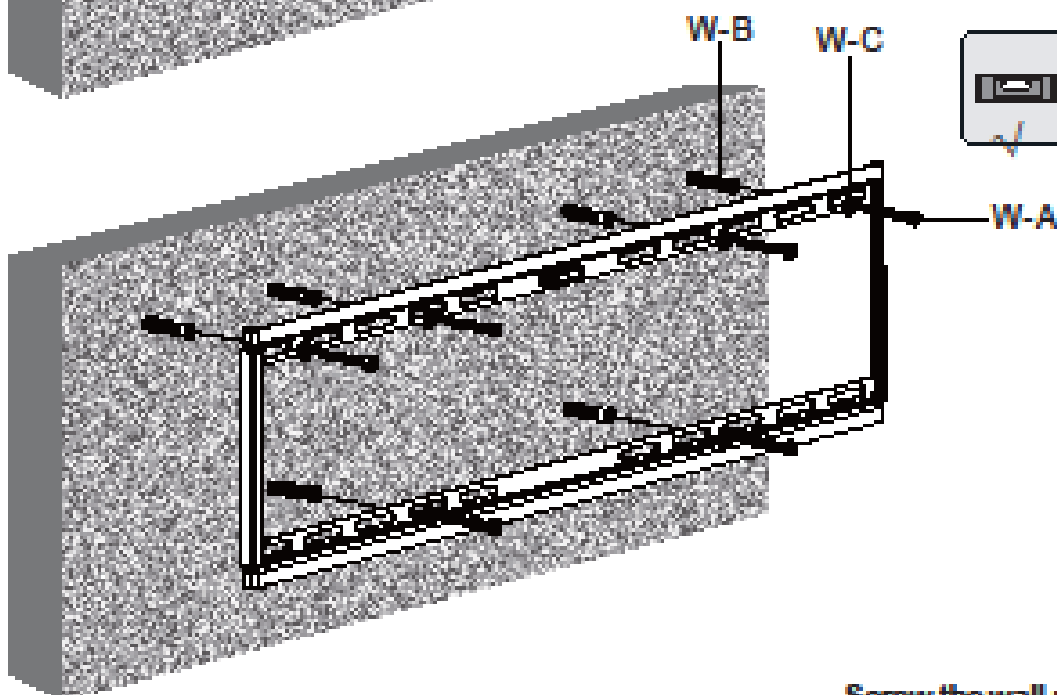
1b. For Solid Brick and Concrete Mounting



Find and Mark the exact location of mounting holes



Drill pilot holes



Screw the wall plate onto the wall

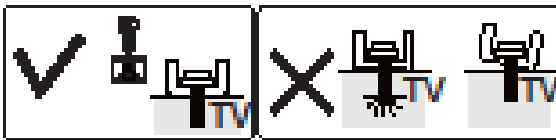


WARNING

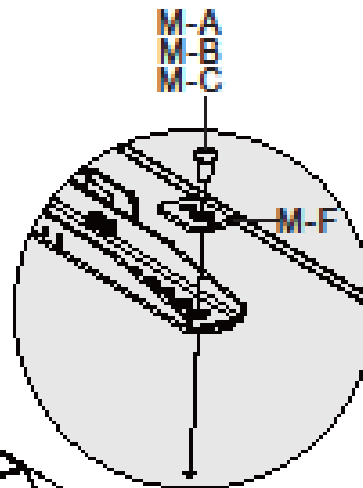
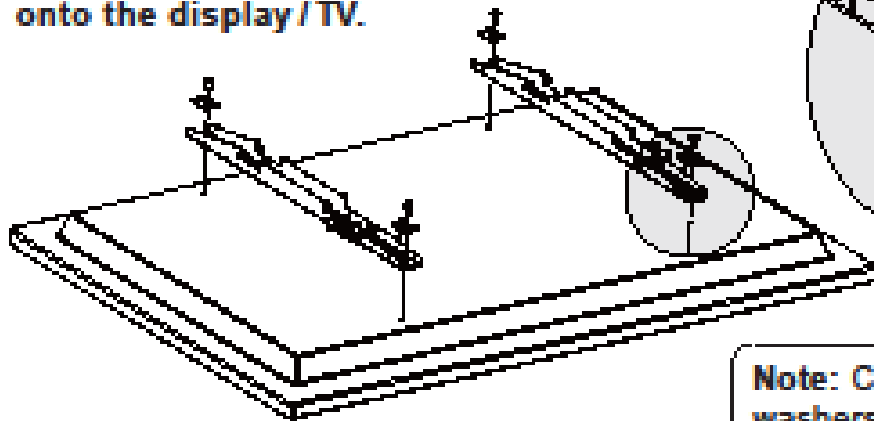
Installers must verify that the supporting surface will safely support the combined weight of the equipment plus all attached hardware and components.

2. Installing the Adapter Brackets

2-1 For Flat Back Screens




Screw the adapter brackets onto the display / TV.

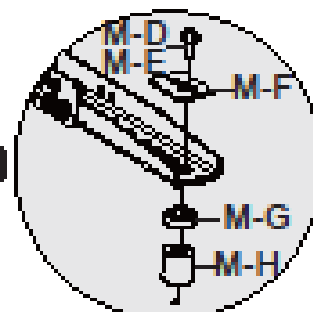
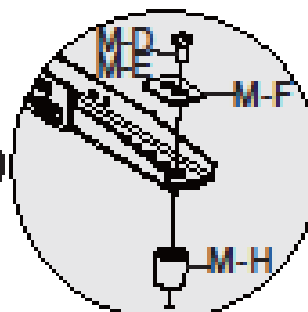
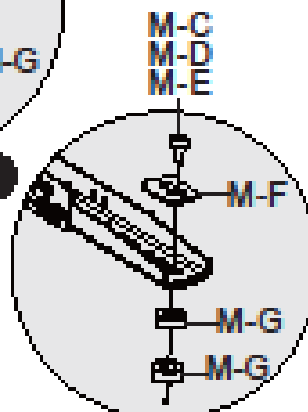
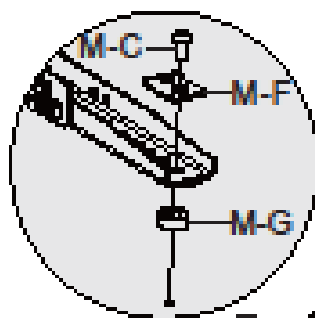
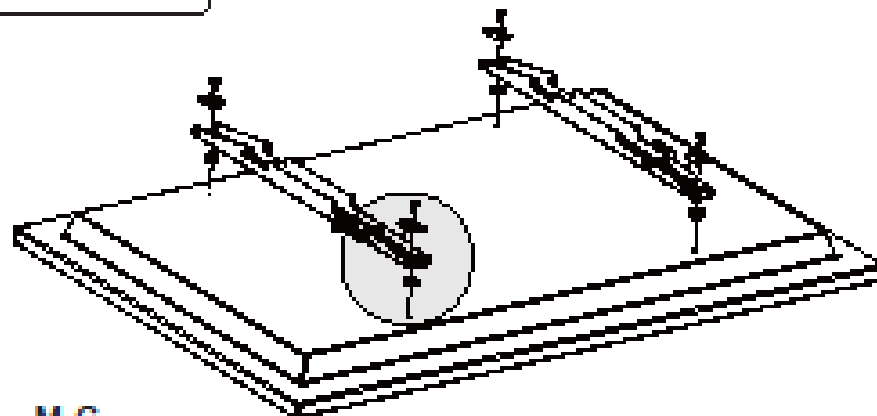


Note: Choose the appropriate screws, washers and spacers (if necessary) according to the type of screen or TV.

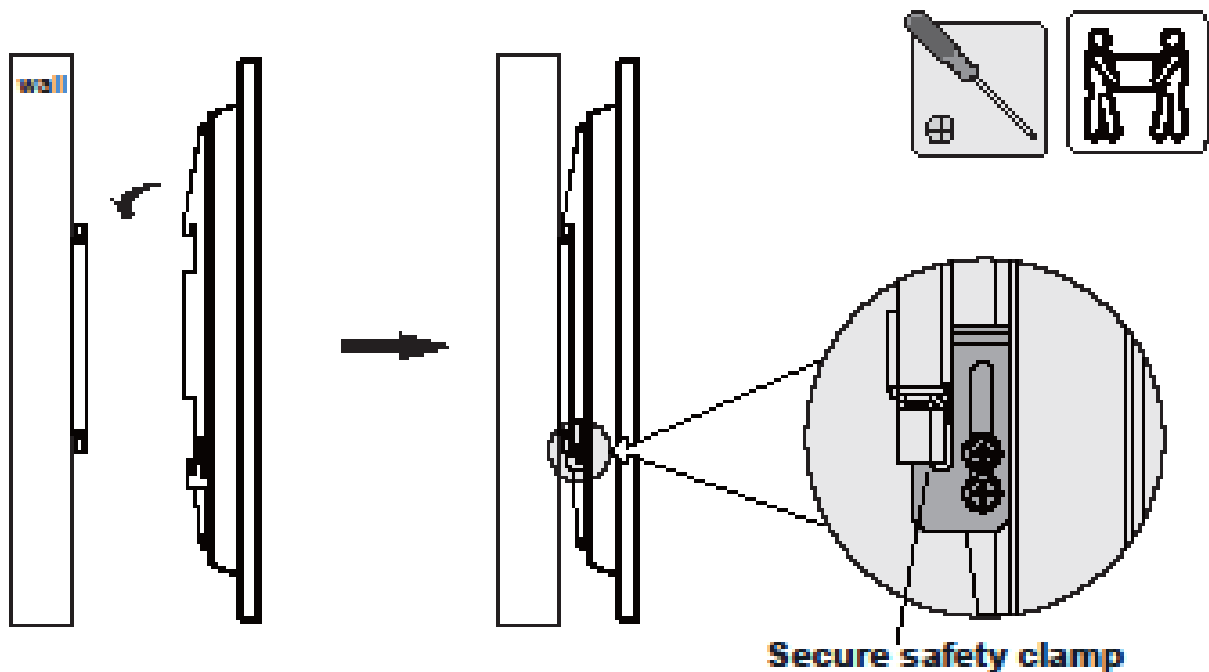
- Position the adapter brackets as close to the center of the TV as possible

 Tighten all screws but do not over tighten.

2-2 Spacers Are For Recessed Back Screens or to Access A/V Inputs



3. Hanging the TV Display onto the Wall Plate

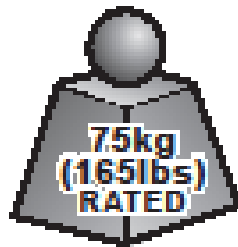


1. Hook the display over the top of the wall plate.
2. Push the safety clamps upward and tighten the two screws to secure and lock the bracket in place.

• Please contact your distributor if you have any questions.



**CAUTION: DO NOT EXCEED
RATED LISTED WEIGHT. SERIOUS
INJURY OR PROPERTY DAMAGE
MAY OCCUR!**



MAX